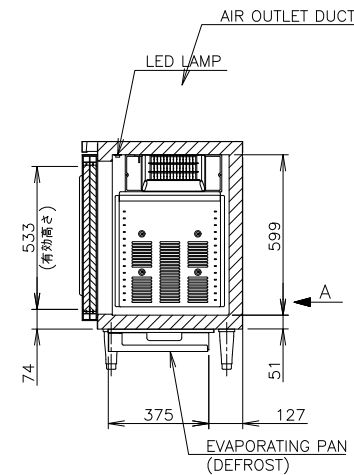
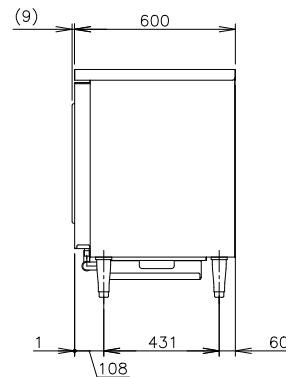
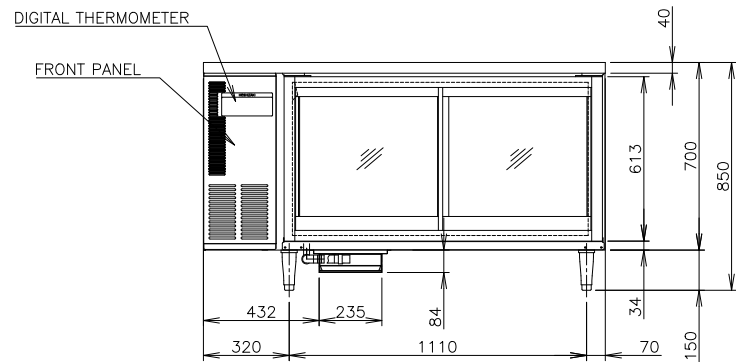
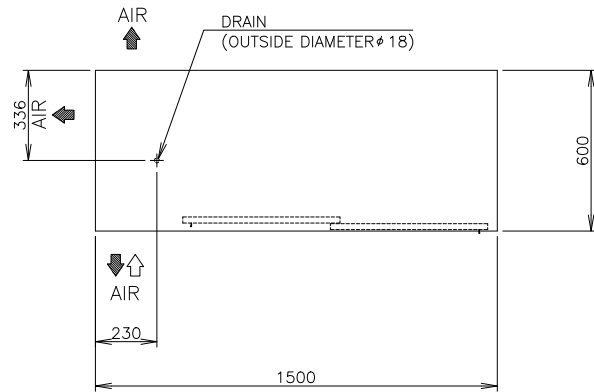
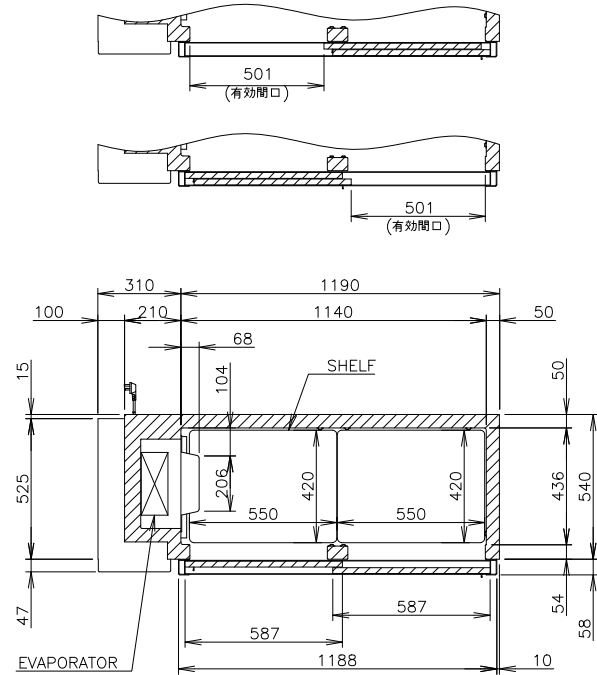


6. Product code: T432-V130(VIETNAM), T432-V230(INDONESIA)  
T432-V330(THAILAND), T432-V430(MALAYSIA)



ITEM	Hoshizaki Undercounter Refrigerator
MODEL	RT-156MC-SSG
POWER SUPPLY	1 Phase 230V 50Hz Capacity: 0.41kVA (1.86A)
AMPERAGE	Rated *A
ELECTRIC CONSUMPTION	Motor 160W(Power Factor 95%) Heater 274W Refrigeration 184W Defrost 190W
HEAT REJECTION	474W
POWER CORD	Plug with Earth Wire
EFFECTIVE CAPACITY	322L
OUTSIDE DIMENSIONS	1500mm (W) x 600mm (D) x 850(-880) mm (H)
INSIDE DIMENSIONS	1140mm (W) x 436mm (D) x 599mm (H)
EXTERIOR	Stainless Steel, Galvanized Steel (Rear/Bottom) Double Layer Glass with Heat Reflection Film(Glass Door)
INTERIOR	Stainless Steel
INSULATION	Polyurethane Foam
INSULATION FOAM BLOWING AGENT	Cyclopentane
REFRIGERATION SYSTEM	Forced Air Circulation
DEFROST SYSTEM	Glass Tube Heater
COMPRESSOR	Hermetic
CONDENSER	Wire and Tube type, Air-cooled
EVAPORATOR	Fin and Tube Type
REFRIGERANT	R290
TEMPERATURE CONTROL	Microprocessor (Digital Temp Indication) Adjustable from -2 to 12°C
DEFROST CONTROL	Microprocessor controlled
ELECTRIC CIRCUIT PROTECTION	Fuse, Earth Wire
COMPRESSOR PROTECTION	Motor Protector
LEG	Plastic Adjustable 150 to 180mm
SHELF	4pcs.
WEIGHT	Net: 98kg (Gross: Approx. 110kg)
PACKAGE	Carton 1565mm (W) x 680mm (D) x 845mm (H)
ACCESSORIES	-
OPERATING CONDITIONS	Ambient Temperature: 5-38°C Voltage Range: Rated Voltage±6%

\*We reserve the right to make changes in specifications and design without prior notice.

1. Install the product properly in accordance with the instructions on location, electrical connections stated in the instruction manual provided. Allow 10mm extra space at the installation site to meet any installation requirements (additional spacing is also required for proper air flow and pipe connections).
2. The amperage and electric consumption are based on measurements at ambient temperature of 32°C and power supply of 230V 50Hz.
3. The cabinet temperature range of -2 to 12°C is guaranteed at ambient temperature of 25°C.
4. Depending on the installation environment, the glass door and the front frame of the body may dew and drop.
5. During the operation of the machine, dew will form on the surface of the glass door.

# HOSHIZAKI UNDERCOUNTER REFRIGERATOR RT-156MC-SSG

APPROVED LIANGK	CHECKED ZHOU	DESIGNED LXF	DRAWN LXF	SCALE 1/20	TRIGONOMETRY
LIANG APPROVED	LY DESIGNED	△ SYMBOL	DATE 2025.11.24	DATE 2025.09.19	DRAWING NO. D43495
					SYMBOL △